

August 28, 2015

Ms. Linda Faulkner, Director
Division of Filings
Kentucky Public Service Commission
P.O. Box 615
Frankfort, KY 40602

RECEIVED

AUG 31 2015

PUBLIC SERVICE
COMMISSION

RE: Case No. 2014-00150
Subdistrict M

Ms. Faulkner:

I have enclosed copies of "as-built" drawings and a certified statement from a Professional Engineer that the project construction has been completed in accordance with the approved plans and specifications as required by this order. This should complete all items as required by this order. If you have any questions, please be sure to let me know.

Sincerely,



Bob Harthun
Construction Supervisor

Enclosures (2)

Cc: File

Mr. Jack Bragg – V.P. Financial, NKWD
Mr. Jack Hughes – District PSC Attorney



CERTIFICATE OF COMPLETION FOR CONSTRUCTION

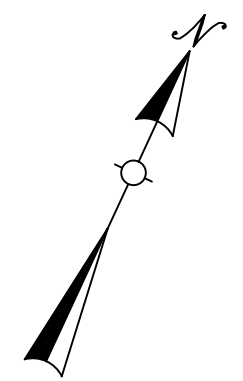
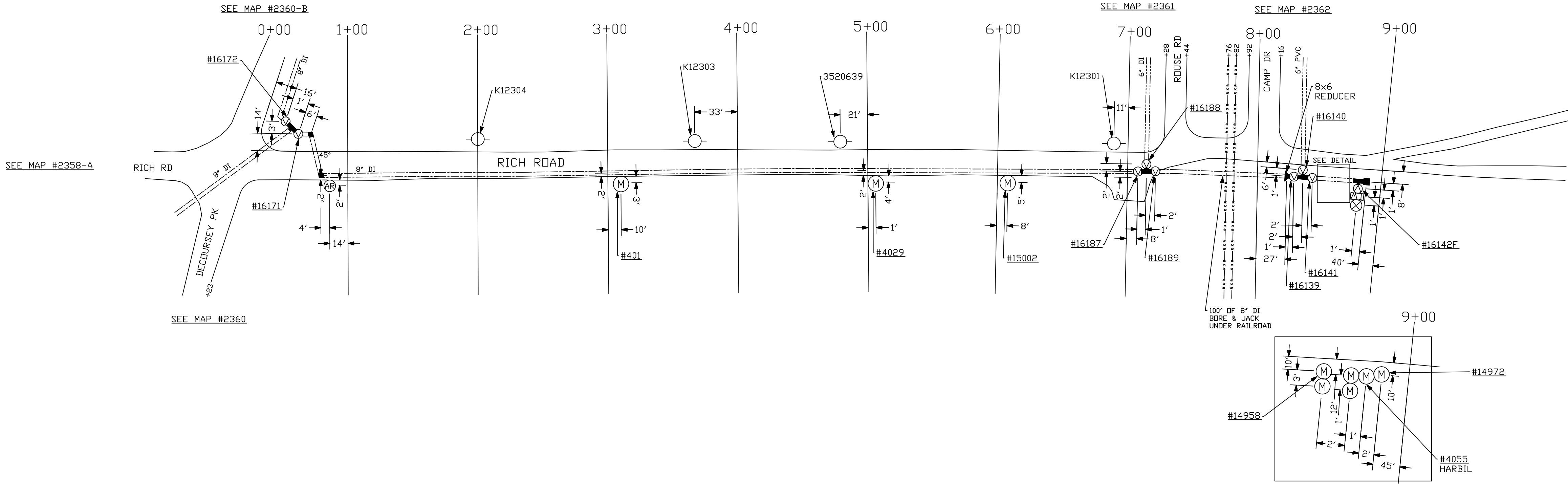
SUBDISTRICT "M"

PSC Case No. 2014-00150

KDOW No. APE20130002

This is to certify that the above-named project was completed in accordance with the approved plans and specifications to the best of my knowledge.





- LEGEND**
- ===== 4" WATER MAIN
 - ===== 6" WATER MAIN
 - ===== 8" WATER MAIN
 - ⊗ = VALVE
 - ⊗ = FIRE HYDRANT
 - ⊙ = METER
 - ⊙ = METER INSIDE
 - ⊙ = UTILITY POLE
 - ⊙ = LAMP POST

S-4		REC-635	
NORTHERN KENTUCKY WATER DISTRICT LOCATION MAPS			
RICH ROAD			
DRAWN BY: SAR	REVISD DATE:	SCALE: 1" = 50'	DATE: 5-21-15
TRACED BY: SAR			DRAWING NO. 2358
CHECKED BY: WR			
FIELD BOOK NO. 146			

- ⊙ = VALVE ⊗ = FIRE HYDRANT
- ⊕ = METER ⊞ = METER INSIDE
- = UTILITY POLE ⊙ = LAMP POST
- ===== 4" WATER MAIN
- ===== 6" WATER MAIN
- ===== 8" WATER MAIN

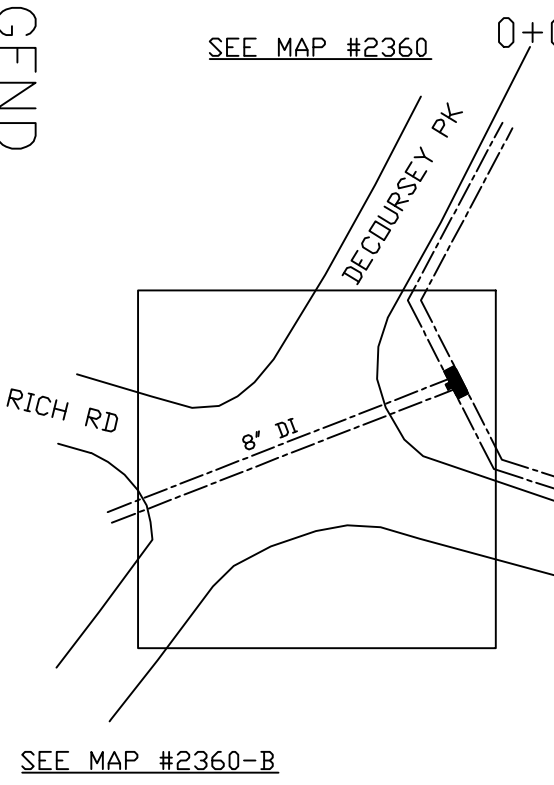
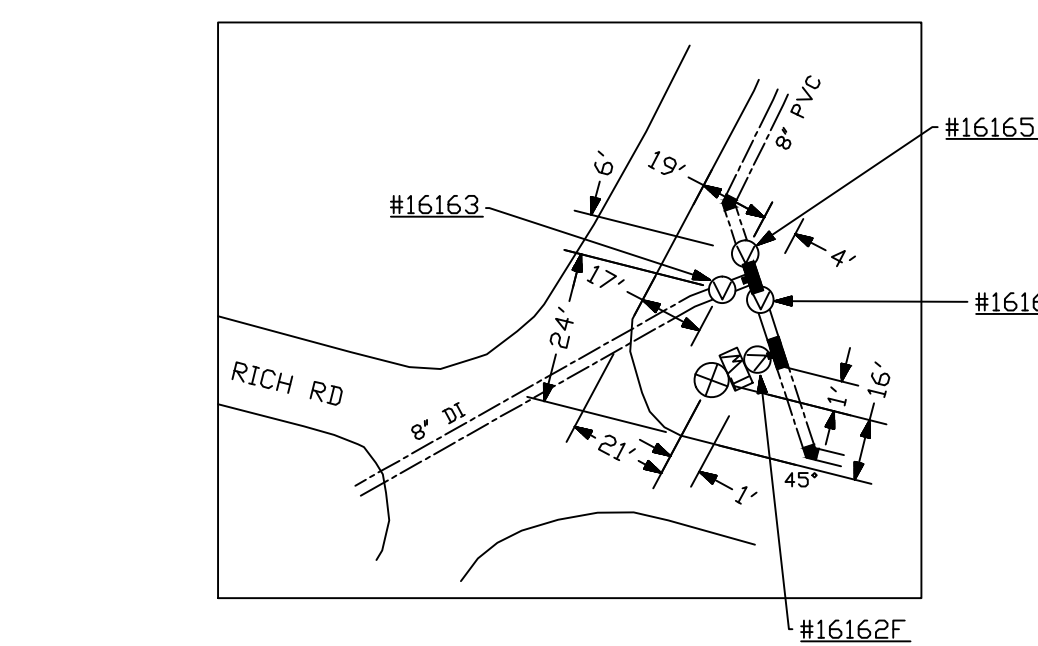
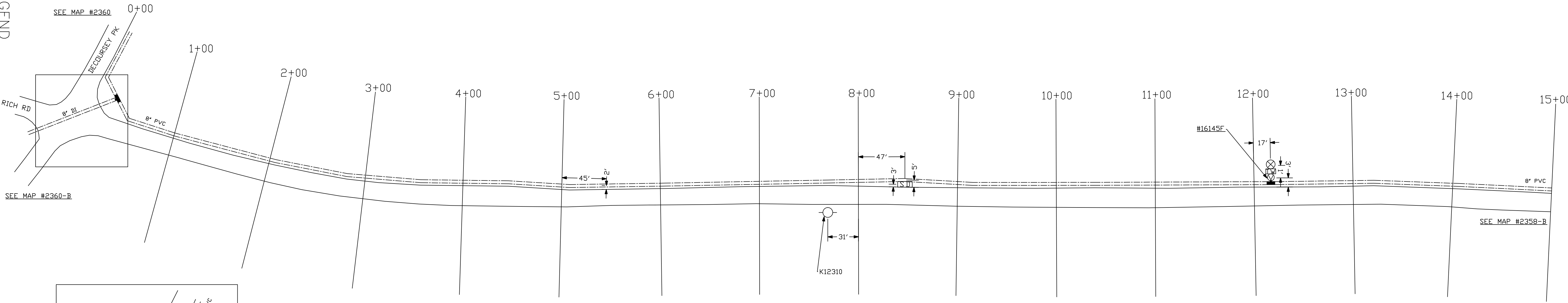
NORTHERN KENTUCKY WATER DISTRICT LOCATION MAPS		RICH ROAD	
DRAWN BY: SAR	REVISD DATE:	SCALE: 1" = 50'	DATE: 6-1-15
TRACED BY: SAR		DATE: 6-1-15	
CHECKED BY: WR		DRAWING NO.:	
FIELD BOOK NO. 146			2358-A

LEGEND

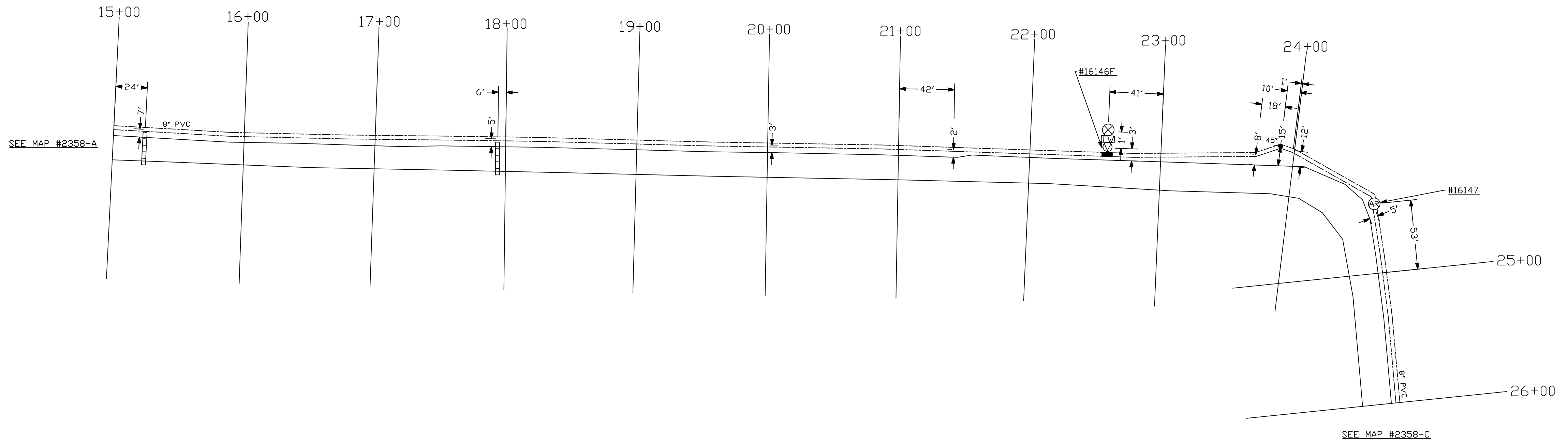
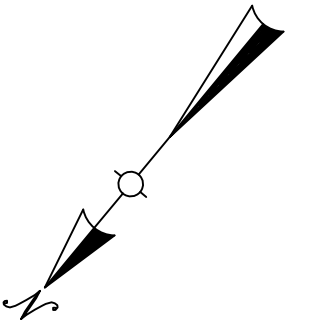
SEE MAP #2358
SEE MAP #2360

R-4

REC-635



SEE MAP #2358-B



LEGEND

- ==== 4" WATER MAIN
- ==== 6" WATER MAIN
- ==== 8" WATER MAIN

- ⊗ = VALVE ⊗ = FIRE HYDRANT
- ⊙ = METER ⊙ = METER INSIDE
- O- = UTILITY POLE ⊙ = LAMP POST

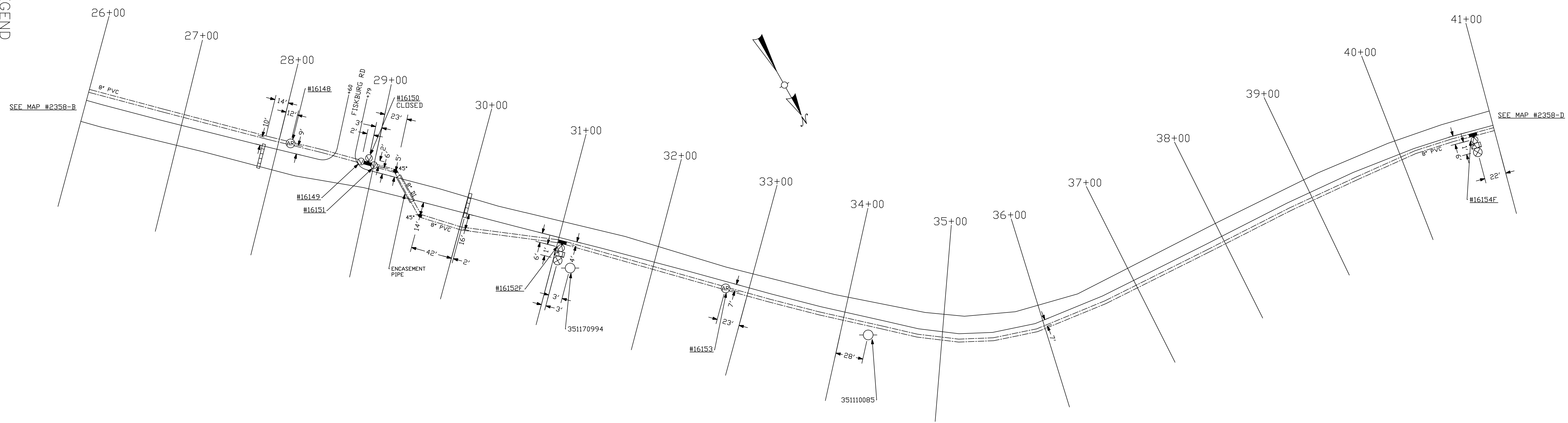
R-4		REC-635	
NORTHERN KENTUCKY WATER DISTRICT LOCATION MAPS			
RICH ROAD			
DRAWN BY: SAR	REVISIED DATE:	SCALE: 1" = 50'	DATE: 5-21-15
TRACED BY: SAR		DRAWING NO.	2358-B
CHECKED BY: WR			
FIELD BOOK NO. 146			

- ⊙ = VALVE ⊗ = FIRE HYDRANT
- ⊕ = METER ⊞ = METER INSIDE
- =UTILITY POLE ⊙=LAMP POST

RICH ROAD		DRAWN BY: SAR	REVISD DATE	SCALE: 1" = 50'
NORTHERN KENTUCKY WATER DISTRICT LOCATION MAPS		TRACED BY: SAR		DATE: 6-1-15
FIELD BOOK NO. 146		CHECKED BY: WR		DRAWING NO. 2358-C

LEGEND

- ==== 4" WATER MAIN
- ==== 6" WATER MAIN
- ==== 8" WATER MAIN



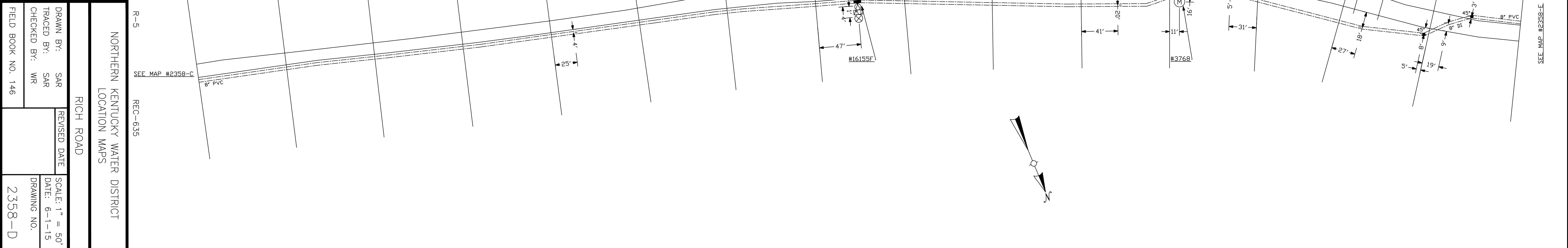
R-4 REC-635

- ⊕ = VALVE ⊗ = FIRE HYDRANT
- ⊙ = METER ⊞ = METER INSIDE
- = UTILITY POLE ⊙ = LAMP POST

LEGEND

- ==== 4" WATER MAIN
- ==== 6" WATER MAIN
- ==== 8" WATER MAIN

RICH ROAD	
NORTHERN KENTUCKY WATER DISTRICT LOCATION MAPS	
DRAWN BY: SAR	REVISED DATE:
TRACED BY: SAR	
CHECKED BY: WR	
FIELD BOOK NO. 146	
SCALE: 1" = 50'	
DATE: 6-1-15	
DRAWING NO. 2358-D	



R-5

REC-635

SEE MAP #2358-C

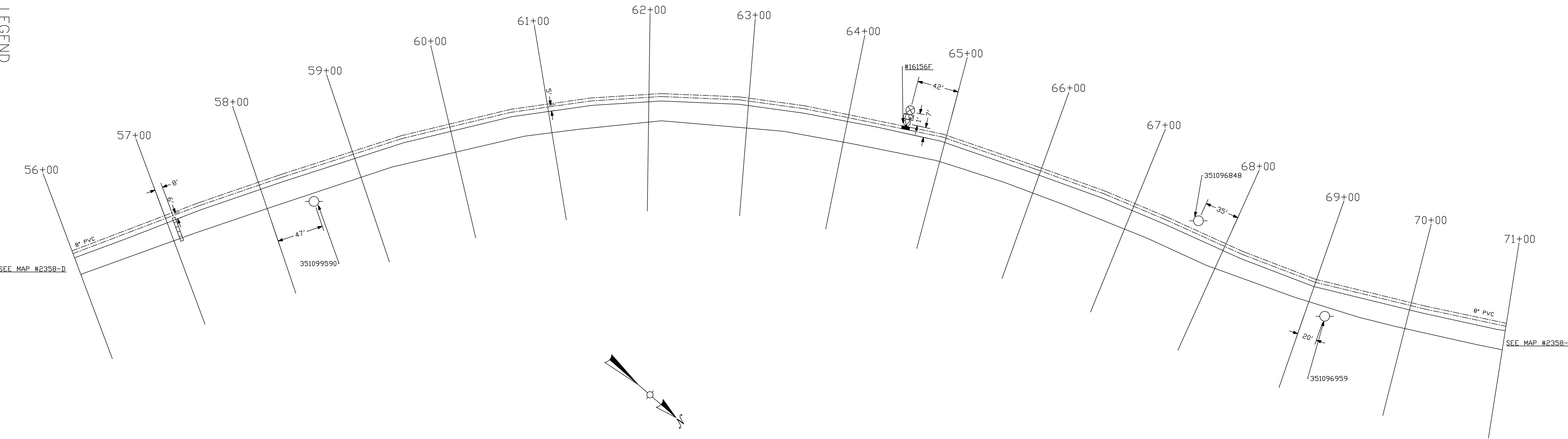
SEE MAP #2358-E

- ⊗ = VALVE ⊗ = FIRE HYDRANT
- ⊙ = METER ⊙ = METER INSIDE
- ⊖ = UTILITY POLE ⊙ = LAMP POST

RICH ROAD		DRAWN BY: SAR	REVISED DATE	SCALE: 1" = 50'
NORTHERN KENTUCKY WATER DISTRICT LOCATION MAPS		TRACED BY: SAR		DATE: 6-1-15
R-5		CHECKED BY: WR		DRAWING NO.
REC-635		FIELD BOOK NO. 146		2358-E

LEGEND

- ==== 4" WATER MAIN
- ==== 6" WATER MAIN
- ==== 8" WATER MAIN

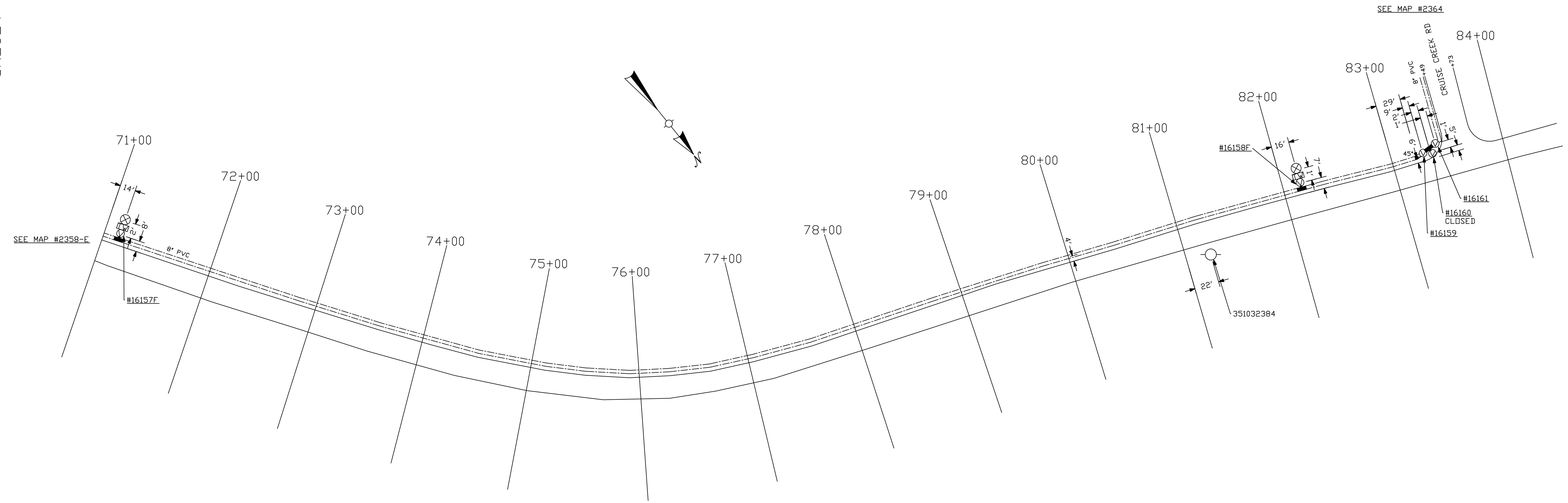


SEE MAP #2358-D

SEE MAP #2358-F

- ⊗ = VALVE ⊗ = FIRE HYDRANT
 - ⊙ = METER ⊞ = METER INSIDE
 - ⊖ = UTILITY POLE ⊙ = LAMP POST
-
- LEGEND**
- ===== 4" WATER MAIN
 - ===== 6" WATER MAIN
 - ===== 8" WATER MAIN

RICH ROAD		R-5	REC-635
NORTHERN KENTUCKY WATER DISTRICT LOCATION MAPS			
DRAWN BY: SAR	REvised DATE:	SCALE: 1" = 50'	DATE: 6-1-15
TRACED BY: SAR			DRAWING NO.
CHECKED BY: WR			2358-F
FIELD BOOK NO. 146			

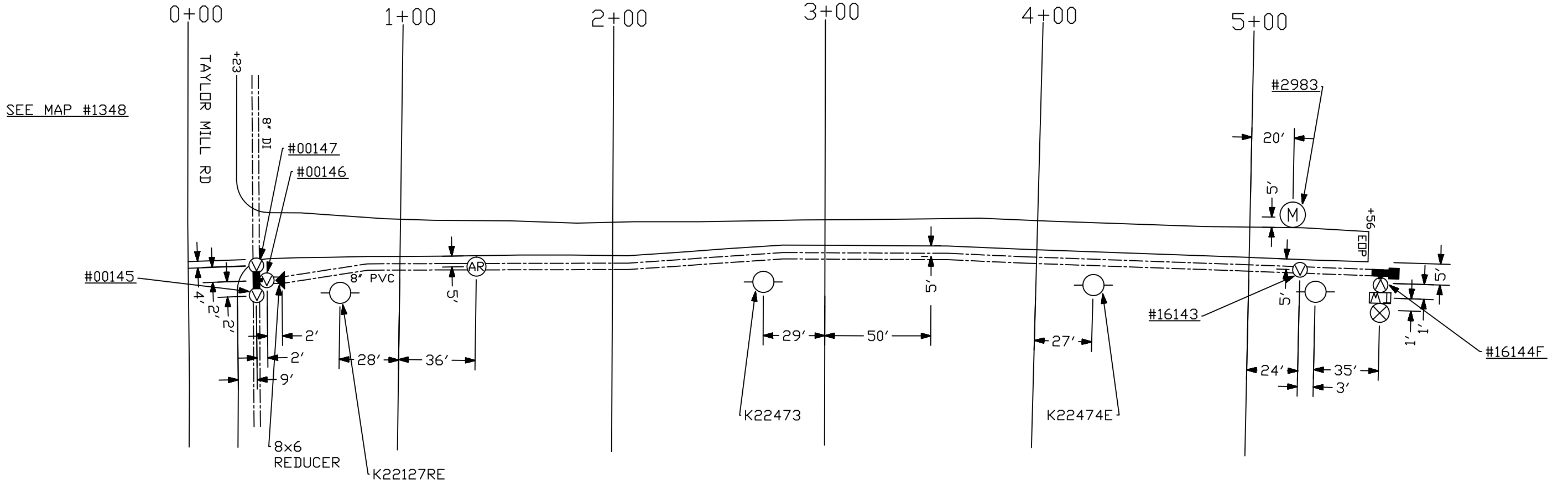


- ⊙ = VALVE ⊗ = FIRE HYDRANT
- ⊕ = METER ⊞ = METER INSIDE
- = UTILITY POLE ⊙ = LAMP POST

P-11		REC-635	
NORTHERN KENTUCKY WATER DISTRICT LOCATION MAPS			
LAKEVIEW DRIVE			
DRAWN BY: SAR	REvised DATE	SCALE: 1" = 50'	DATE: 6-1-15
TRACED BY: SAR			DRAWING NO. 2359
CHECKED BY: WR			
FIELD BOOK NO. 146			

LEGEND

- ===== 4" WATER MAIN
- ===== 6" WATER MAIN
- ===== 8" WATER MAIN



SEE MAP #1348

- ⊗ = VALVE
- ⊙ = FIRE HYDRANT
- ⊕ = METER
- ⊖ = METER
- ⊙ = UTILITY POLE
- ⊗ = FIRE HYDRANT
- ⊕ = METER INSIDE
- ⊖ = METER
- ⊙ = LAMP POST

- ===== 4" WATER MAIN
- 6" WATER MAIN
- ===== 8" WATER MAIN

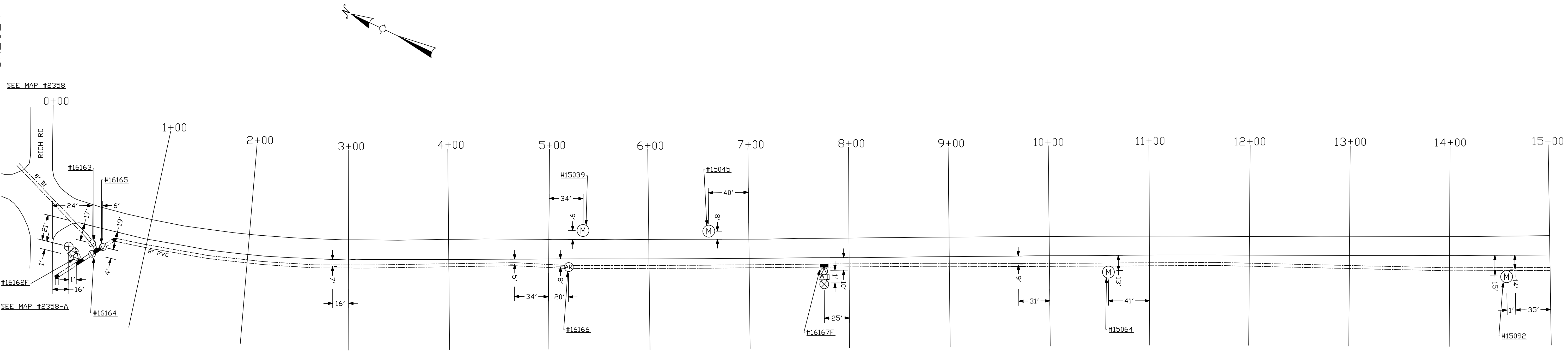
LEGEND

DRAWN BY: SAR		REVISED DATE:	SCALE: 1" = 50'
TRACED BY: SAR		DATE: 5-27-15	DRAWING NO. 2360
CHECKED BY:			
FIELD BOOK NO. 146			

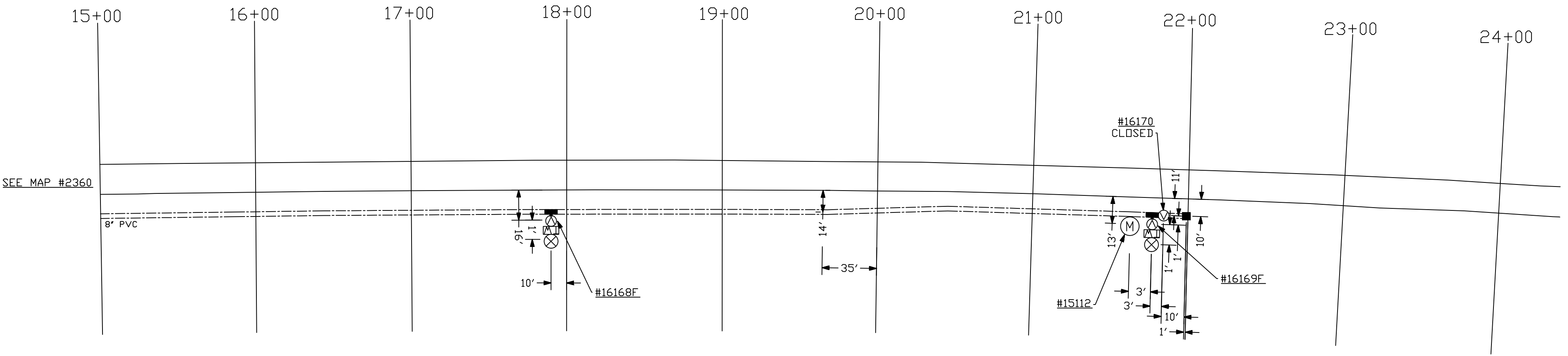
DETCOURSEY PIKE
 NORTHERN KENTUCKY WATER DISTRICT
 LOCATION MAPS

S-4

REC-635



SEE MAP #2360-A



LEGEND

- ==== 4" WATER MAIN
- ==== 6" WATER MAIN
- ==== 8" WATER MAIN
- ⊗ = VALVE ⊗ = FIRE HYDRANT
- ⊙ = METER ⊙ = METER INSIDE
- ⊖ = UTILITY POLE ⊙ = LAMP POST

S-4		REC-635	
NORTHERN KENTUCKY WATER DISTRICT LOCATION MAPS			
DECOURSEY PIKE			
DRAWN BY: SAR	REVISD DATE	SCALE: 1" = 50'	DATE: 5-27-15
TRACED BY: SAR			DRAWING NO.
CHECKED BY:			2360-A
FIELD BOOK NO. 146			

- ⊙ = VALVE ⊗ = FIRE HYDRANT
- Ⓜ = METER ⊠ = METER INSIDE
- =UTILITY POLE ⊙=LAMP POST

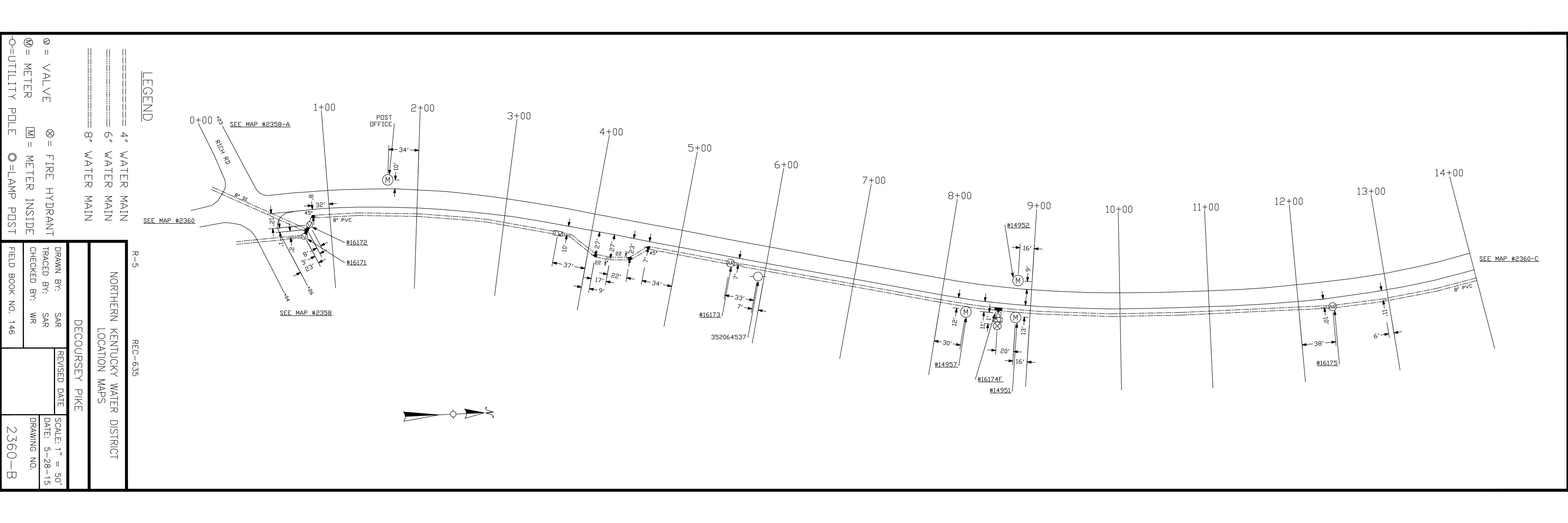
NORTHERN KENTUCKY WATER DISTRICT LOCATION MAPS		DECOURSEY PIKE	
DRAWN BY: SAR	REvised DATE:	SCALE: 1" = 50'	DATE: 5-28-15
TRACED BY: SAR			DRAWING NO.
CHECKED BY: WR			2360-B
FIELD BOOK NO. 146			

LEGEND

- ==== 4" WATER MAIN
- ==== 6" WATER MAIN
- ==== 8" WATER MAIN

R-5
REC-635

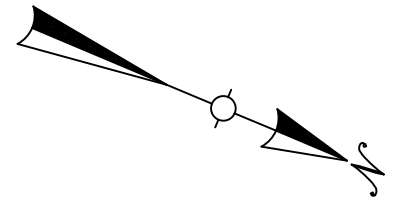
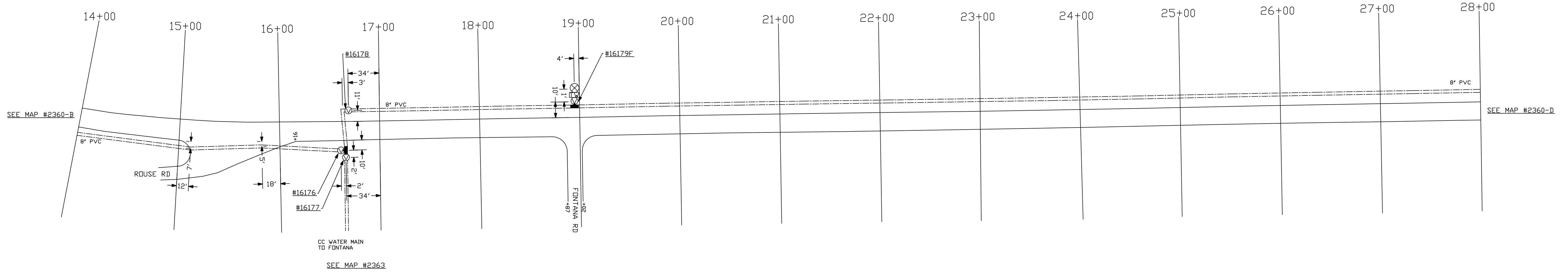
SEE MAP #2358-A
SEE MAP #2360
SEE MAP #2358
SEE MAP #2360-C



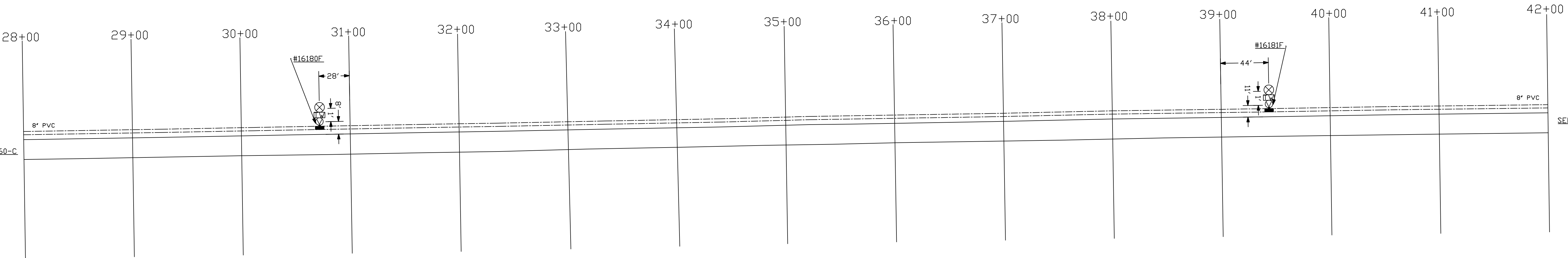
- ⊕ = VALVE ⊗ = FIRE HYDRANT
- Ⓜ = METER ☒ = METER INSIDE
- = UTILITY POLE ⊙ = LAMP POST

LEGEND

- ===== 4" WATER MAIN
- ===== 6" WATER MAIN
- ===== 8" WATER MAIN



R-5		REC-635	
NORTHERN KENTUCKY WATER DISTRICT LOCATION MAPS			
DECOURSEY PIKE			
DRAWN BY: SAR	TRACED BY: SAR	REVISED DATE:	SCALE: 1" = 50'
CHECKED BY: WR			DATE: 5-28-15
FIELD BOOK NO. 146			DRAWING NO. 2360-C



SEE MAP #2360-E

42+00

41+00

40+00

39+00

38+00

37+00

36+00

35+00

34+00

33+00

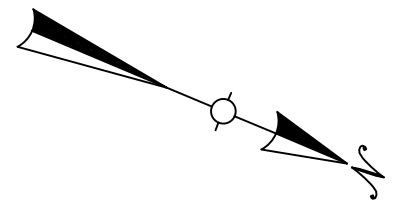
32+00

31+00

30+00

29+00

28+00



LEGEND

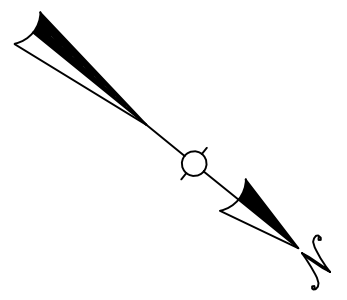
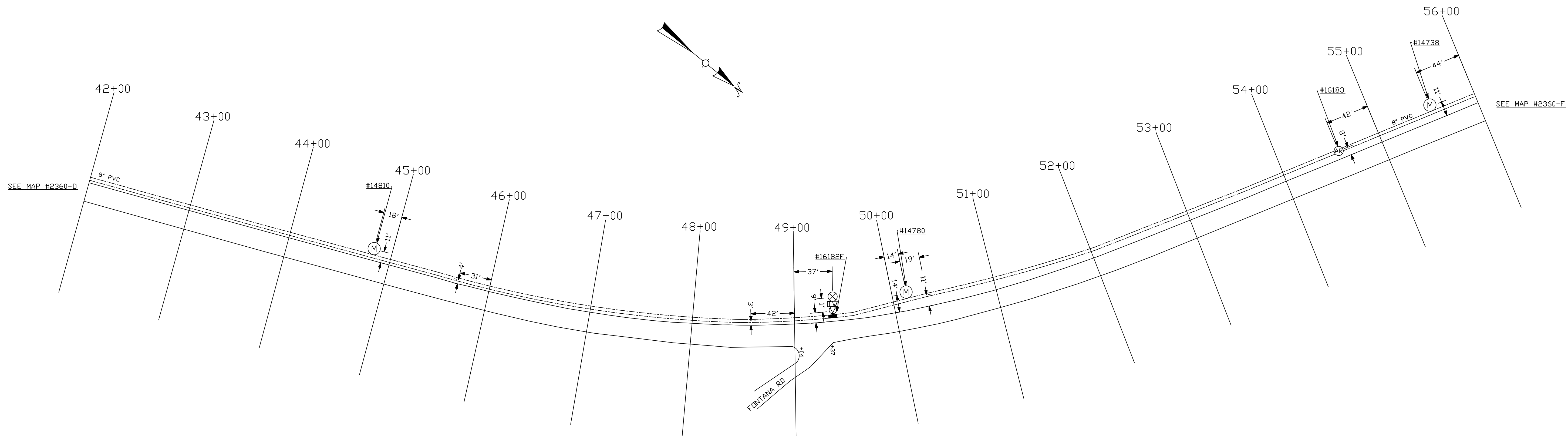
- ==== 4" WATER MAIN
- ==== 6" WATER MAIN
- ==== 8" WATER MAIN
- ⊗ = VALVE ⊗ = FIRE HYDRANT
- ⊙ = METER ⊙ = METER INSIDE
- O- = UTILITY POLE ⊙ = LAMP POST

R-5

REC-635

SEE MAP #2360-C

DRAWN BY: SAR TRACED BY: SAR CHECKED BY: WR		DE COURSEY PIKE	
		NORTHERN KENTUCKY WATER DISTRICT LOCATION MAPS	
FIELD BOOK NO. 146	REVISED DATE	SCALE: 1" = 50' DATE: 5-28-15	
2360-D	DRAWING NO.	DRAWING NO.	



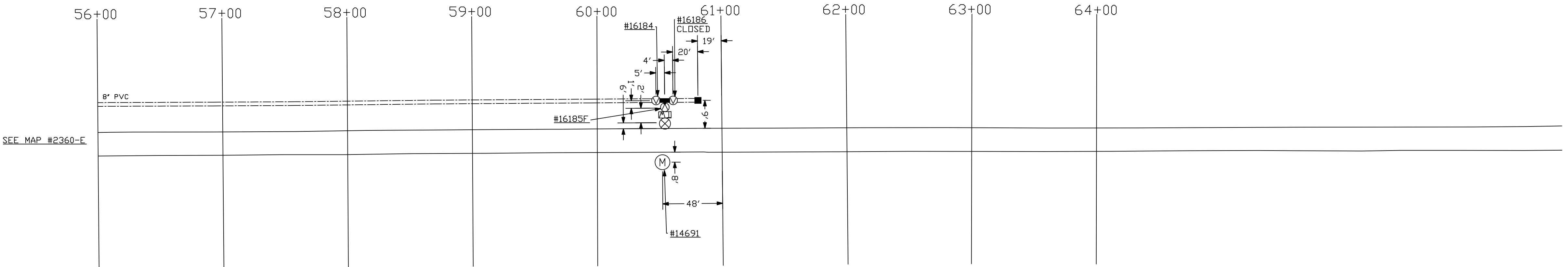
SEE MAP #2360-F

SEE MAP #2360-D

LEGEND

- ==== 4" WATER MAIN
- ==== 6" WATER MAIN
- ==== 8" WATER MAIN
- ⊙ = VALVE
- ⊗ = FIRE HYDRANT
- ⊕ = METER
- ⊖ = METER INSIDE
- ⊙ = UTILITY POLE
- ⊙ = LAMP POST

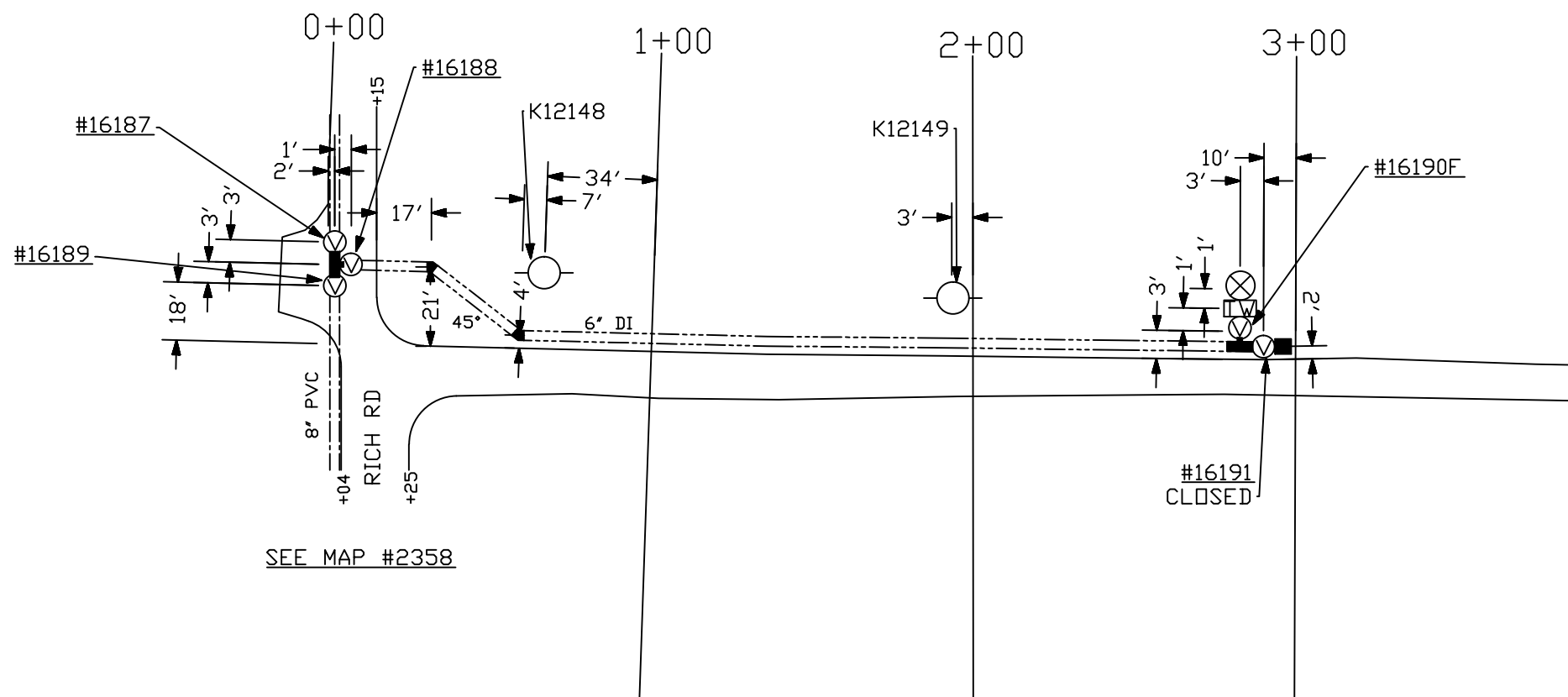
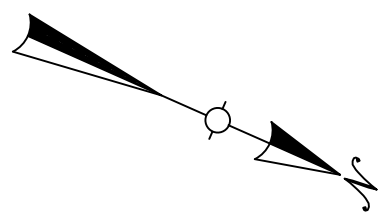
R-5		REC-635	
NORTHERN KENTUCKY WATER DISTRICT LOCATION MAPS			
DECOURSEY PIKE			
DRAWN BY: SAR	REvised DATE:	SCALE: 1" = 50'	DATE: 5-28-15
TRACED BY: SAR		DRAWING NO.:	2360-E
CHECKED BY: WR			
FIELD BOOK NO. 146			



LEGEND

- ==== 4" WATER MAIN
- ===== 6" WATER MAIN
- ===== 8" WATER MAIN
- ⊗ = VALVE ⊗ = FIRE HYDRANT
- ⊙ = METER ⊙ = METER INSIDE
- ⊙ = UTILITY POLE ⊙ = LAMP POST

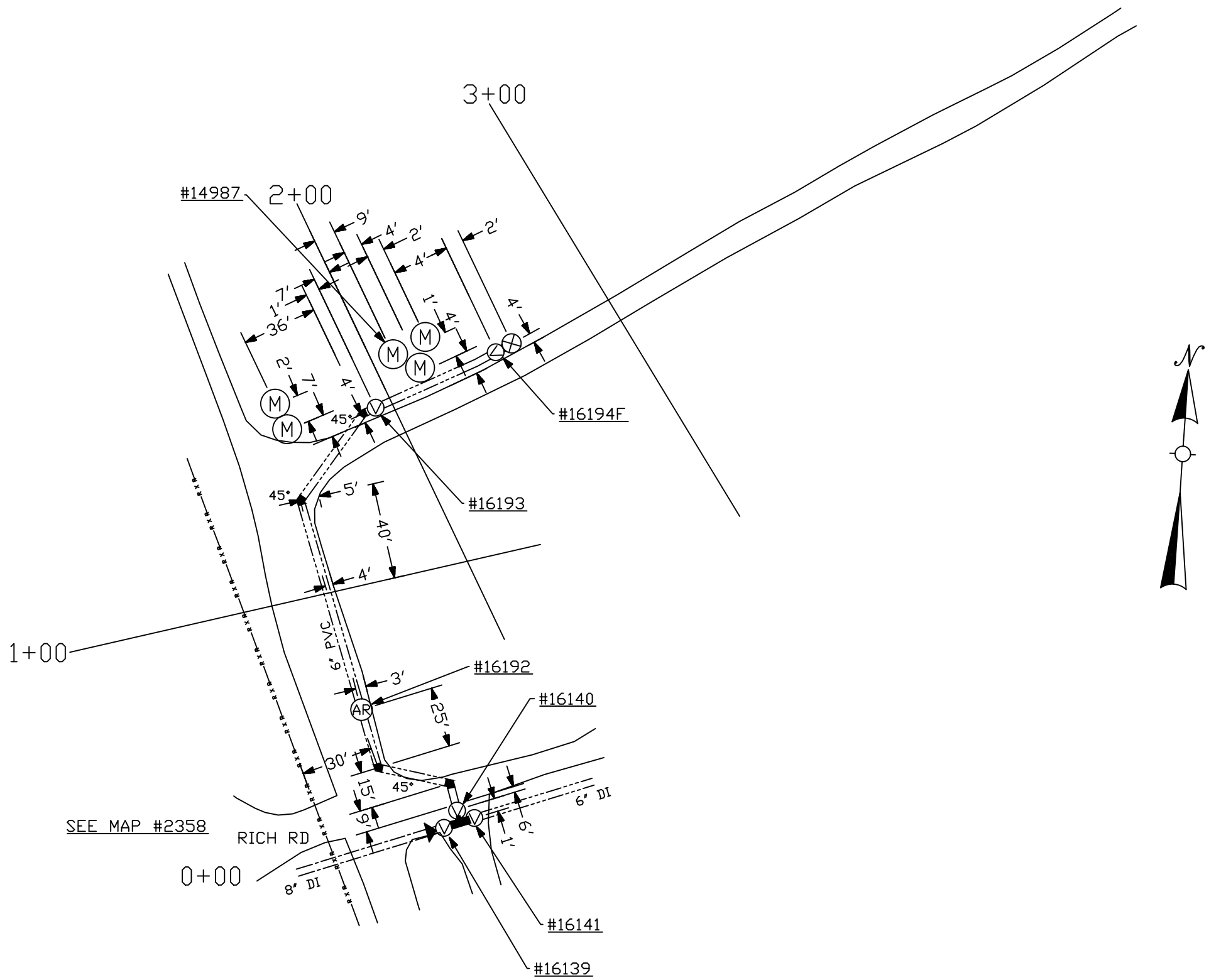
R-5		REC-635	
NORTHERN KENTUCKY WATER DISTRICT LOCATION MAPS			
DECOURSEY PIKE			
DRAWN BY: SAR	REVISD DATE	SCALE: 1" = 50'	DATE: 5-28-15
TRACED BY: SAR			DRAWING NO.
CHECKED BY: WR			2360-F
FIELD BOOK NO. 146			



LEGEND

- ==== 4" WATER MAIN
- ===== 6" WATER MAIN
- ===== 8" WATER MAIN
- ⊗ = VALVE ⊗ = FIRE HYDRANT
- ⊙ = METER ⊠ = METER INSIDE
- O- = UTILITY POLE ○ = LAMP POST

S-4		REC-635	
NORTHERN KENTUCKY WATER DISTRICT LOCATION MAPS			
ROUSE ROAD			
DRAWN BY: SAR	REVISIED DATE:	SCALE: 1" = 50'	DATE: 5-28-15
TRACED BY: SAR			DRAWING NO. 2361
CHECKED BY: WR			
FIELD BOOK NO. 146			



LEGEND

- ==== 4" WATER MAIN
- ===== 6" WATER MAIN
- ===== 8" WATER MAIN
- ⊗ = VALVE ⊗ = FIRE HYDRANT
- Ⓜ = METER ⊠ = METER INSIDE
- O- = UTILITY POLE ⊙ = LAMP POST

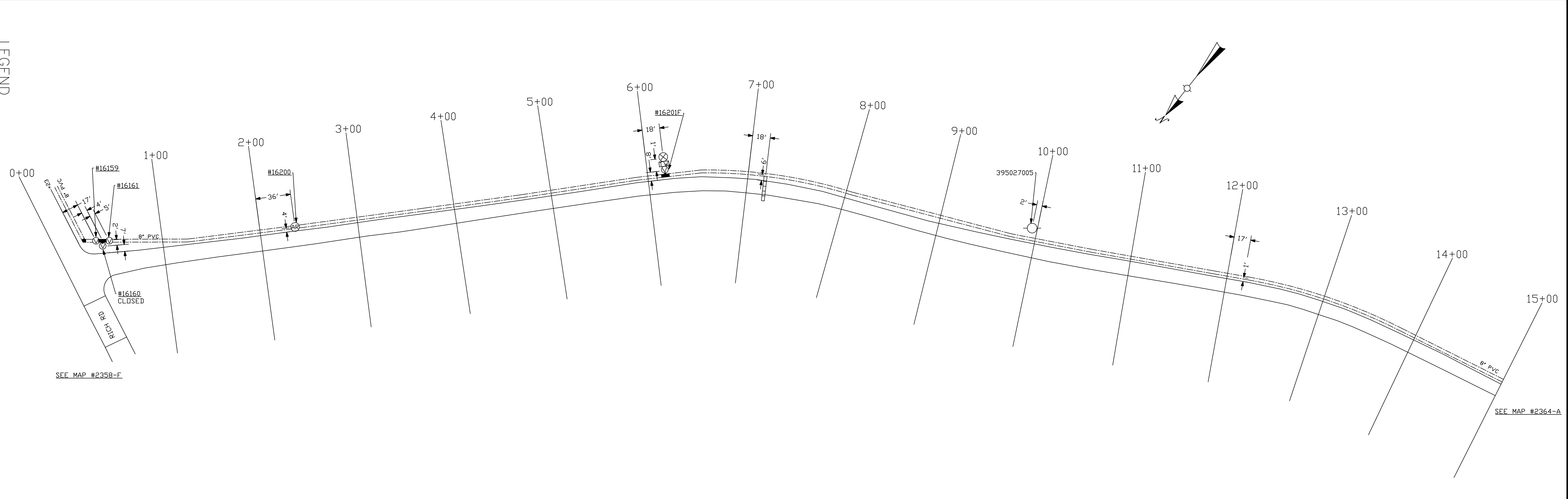
S-5		REC-635	
NORTHERN KENTUCKY WATER DISTRICT LOCATION MAPS			
CAMP DRIVE			
DRAWN BY: SAR	REVISD DATE:	SCALE: 1" = 50'	DATE: 5-28-15
TRACED BY: SAR			DRAWING NO.
CHECKED BY: WR			2362
FIELD BOOK NO. 146			

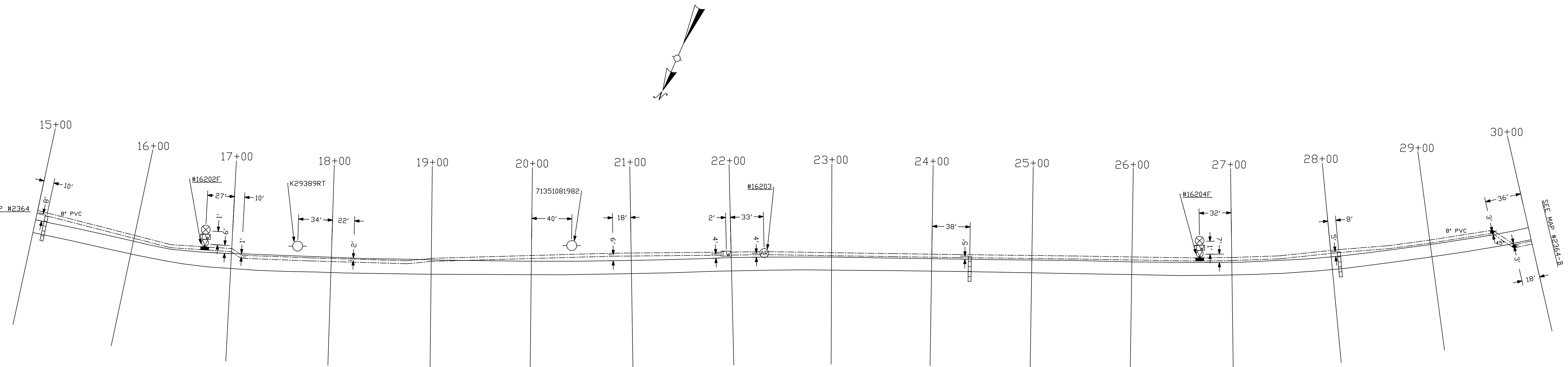
- ⊙ = VALVE ⊗ = FIRE HYDRANT
- ⊕ = METER ⊞ = METER INSIDE
- ⊖ = UTILITY POLE ⊙ = LAMP POST

CRUISE CREEK ROAD		DRAWN BY: SAR	REVISED DATE:	SCALE: 1" = 50'
		TRACED BY: SAR		DATE: 6-1-15
		CHECKED BY: WR		DRAWING NO. 2364
FIELD BOOK NO. 146				

R-5 REC-635

NORTHERN KENTUCKY WATER DISTRICT
LOCATION MAPS





LEGEND

- ==== 4" WATER MAIN
- ==== 6" WATER MAIN
- ==== 8" WATER MAIN
- ⊗ = VALVE
- ⊗ = FIRE HYDRANT
- ⊙ = METER
- ⊙ = METER INSIDE
- ⊙ = UTILITY POLE
- ⊙ = LAMP POST

DRAWN BY: SAR		REVISED DATE:	
TRACED BY: SAR		SCALE: 1" = 50'	
CHECKED BY: WR		DATE: 6-1-15	
FIELD BOOK NO. 146		DRAWING NO. 2364-A	

NORTHERN KENTUCKY WATER DISTRICT
 CRUISE CREEK ROAD
 LOCATION MAPS

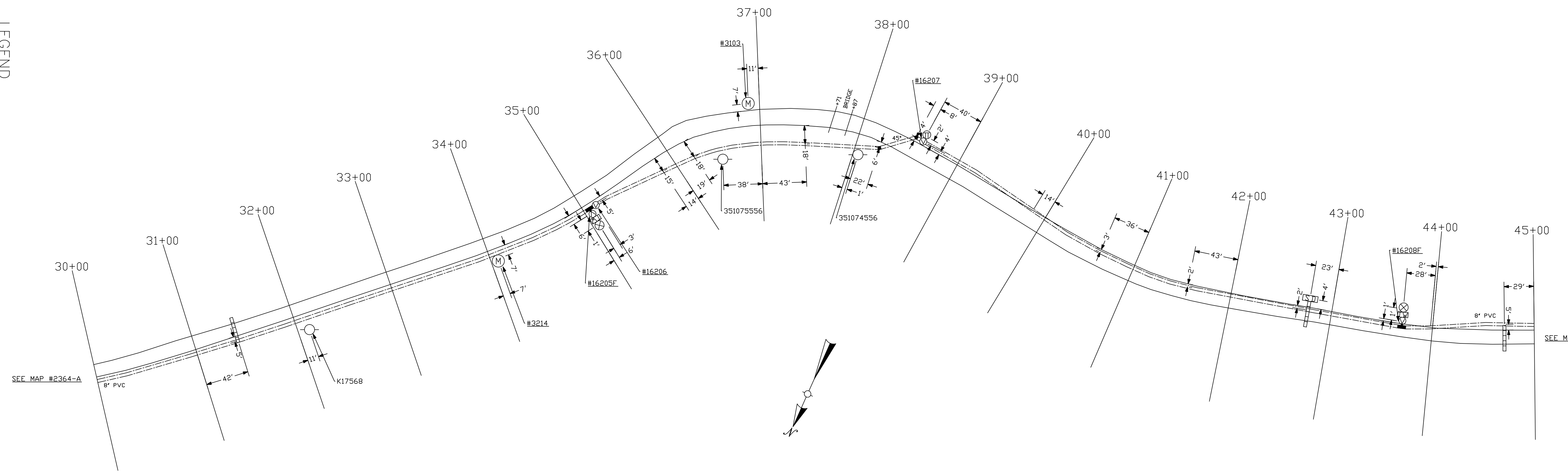
R-5 REC-635

SEE MAP #2364-B

SEE MAP #2364

- ⊙ = VALVE ⊗ = FIRE HYDRANT
 - ⊕ = METER ⊞ = METER INSIDE
 - = UTILITY POLE ⊙ = LAMP POST
-
- LEGEND**
- ===== 4" WATER MAIN
 - ===== 6" WATER MAIN
 - ===== 8" WATER MAIN

R-5		REC-635	
NORTHERN KENTUCKY WATER DISTRICT LOCATION MAPS			
CRUISE CREEK ROAD			
DRAWN BY: SAR	REvised DATE:	SCALE: 1" = 50'	
TRACED BY: SAR		DATE: 6-1-15	
CHECKED BY: WR		DRAWING NO.	
FIELD BOOK NO. 146		2364-B	



SEE MAP #2364-A

SEE MAP #2364-C

- ⊙ = VALVE
- ⊗ = FIRE HYDRANT
- ⊕ = METER
- ⊖ = METER INSIDE
- ⊖ = UTILITY POLE
- ⊖ = LAMP POST

NORTHERN KENTUCKY WATER DISTRICT LOCATION MAPS	
CRUISE CREEK ROAD	
DRAWN BY: SAR	REVISED DATE:
TRACED BY: SAR	SCALE: 1" = 50'
CHECKED BY: WR	DATE: 6-1-15
FIELD BOOK NO. 146	DRAWING NO. 2364-C

LEGEND

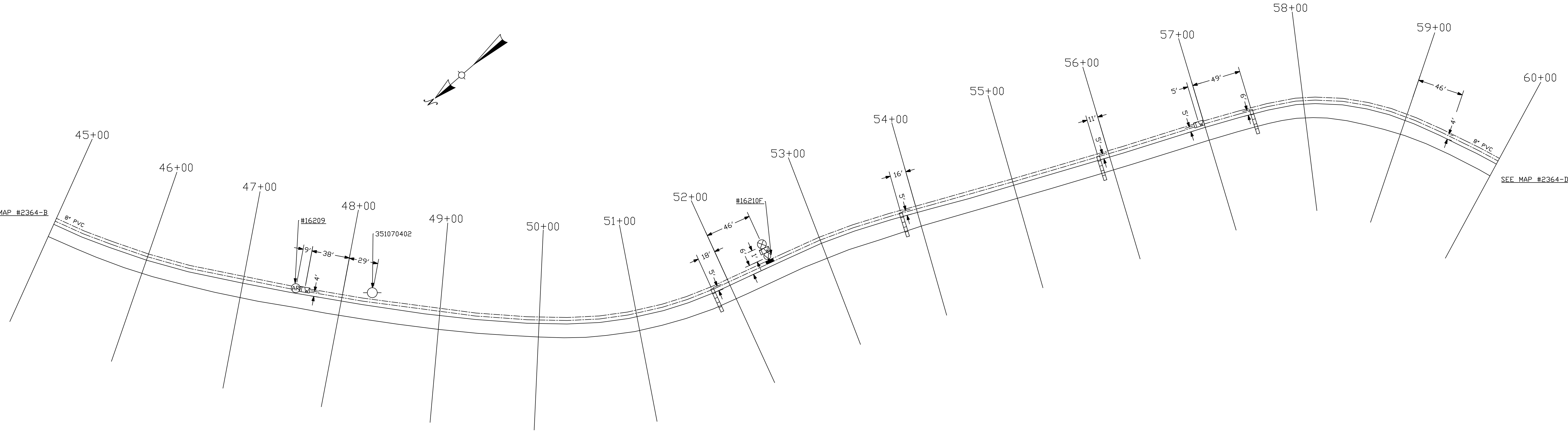
- ==== 4" WATER MAIN
- ==== 6" WATER MAIN
- ==== 8" WATER MAIN

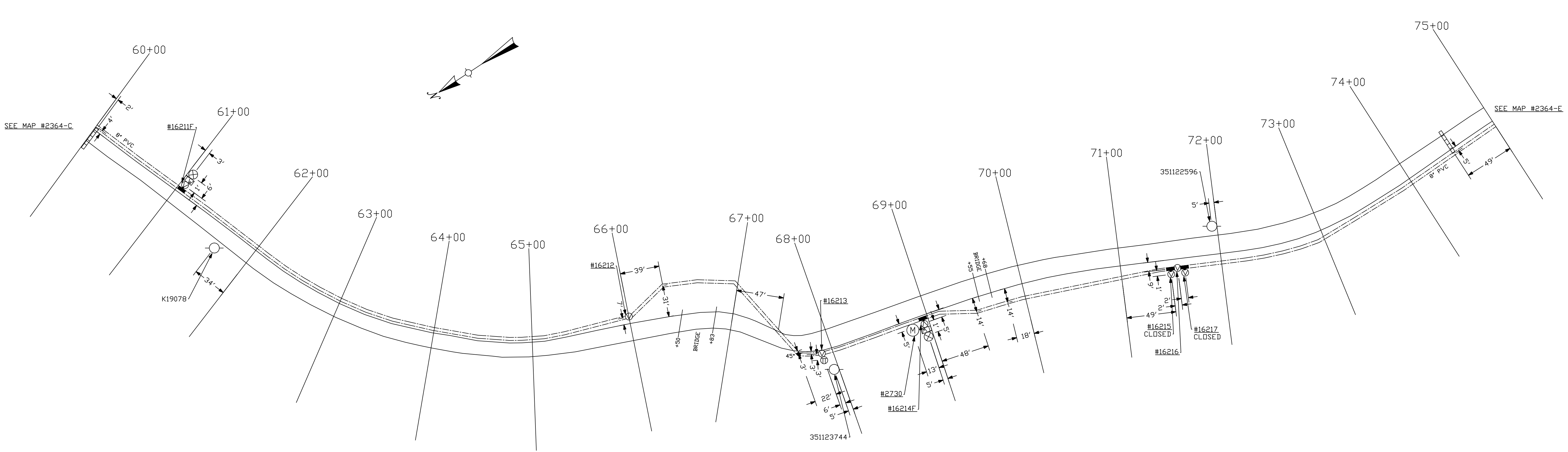
R-5

REC-635

SEE MAP #2364-B

SEE MAP #2364-D





LEGEND

- ==== 4" WATER MAIN
- ==== 6" WATER MAIN
- ==== 8" WATER MAIN

- ⊗ = VALVE
- ⊙ = FIRE HYDRANT
- ⊕ = METER
- Ⓜ = METER INSIDE
- ⊖ = UTILITY POLE
- ⊙ = LAMP POST

NORTHERN KENTUCKY WATER DISTRICT LOCATION MAPS		Q-4	REC-635
CRUISE CREEK ROAD		DRAWN BY: SAR	REVISED DATE:
FIELD BOOK NO. 146	CHECKED BY: WR	TRACED BY: SAR	SCALE: 1" = 50'
2364-D	DRAWING NO.	DATE: 6-1-15	

SEE MAP #2364-F

90+00

89+00

88+00

87+00

86+00

85+00

84+00

83+00

82+00

81+00

80+00

79+00

78+00

77+00

76+00

75+00

SEE MAP #2364-D

8" PVC

K34391

36'

19'

16'

16'

BRIDGE

+28

+47

4'

22'

#16218F

39'

7'

1'

7'

14'

7'

30'

5'

5'

3'

GABIAN WALL

K34389

44'

3'

2'

3'

26'

13'

5'

5'

14'

5'

46'

6'

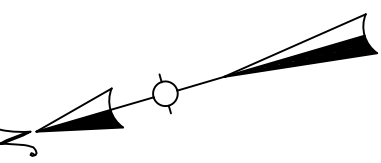
6'

10'

9'

4'

49'

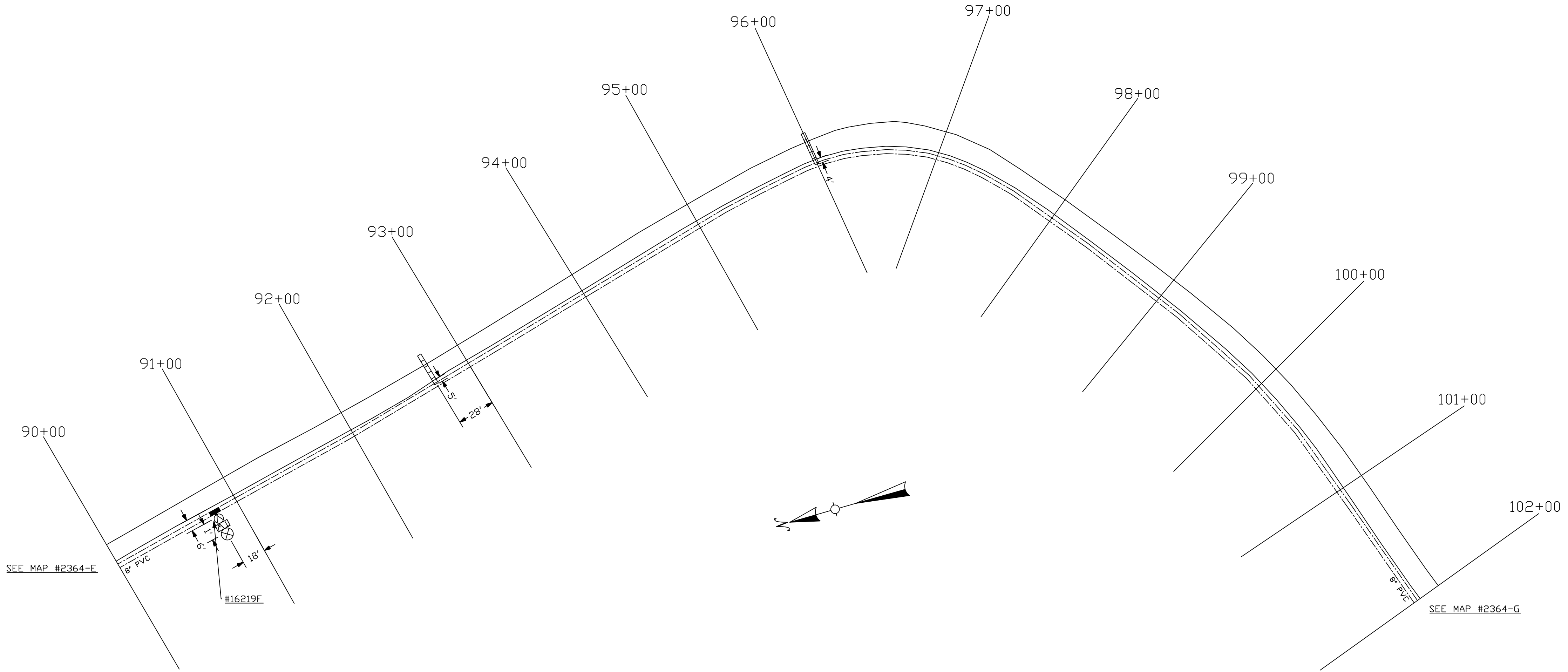


LEGEND

- ===== 4" WATER MAIN
- ===== 6" WATER MAIN
- ===== 8" WATER MAIN

- ⊗ = VALVE ⊗ = FIRE HYDRANT
- ⊙ = METER ⊙ = METER INSIDE
- O= UTILITY POLE ⊙ = LAMP POST

DRAWN BY: SAR		REVISED DATE:	
TRACED BY: SAR		SCALE: 1" = 50'	
CHECKED BY: WR		DATE: 6-1-15	
FIELD BOOK NO. 146		DRAWING NO. 2364-E	
CRUISE CREEK ROAD NORTHERN KENTUCKY WATER DISTRICT LOCATION MAPS			
R-5		REC-635	



LEGEND

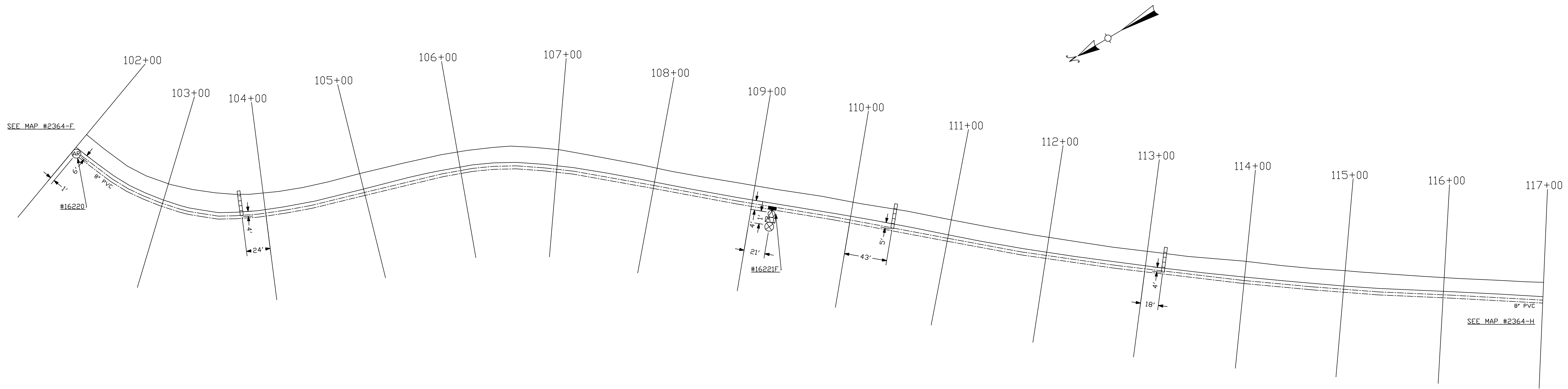
- ===== 4" WATER MAIN
- ===== 6" WATER MAIN
- ===== 8" WATER MAIN

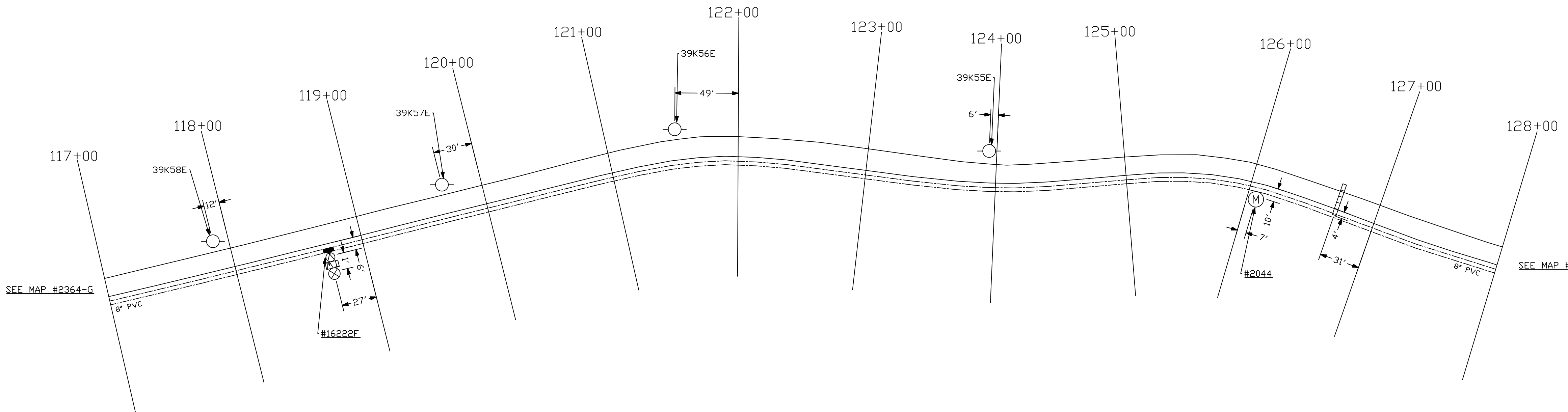
- ⊗ = VALVE ⊗ = FIRE HYDRANT
- ⊙ = METER ⊙ = METER INSIDE
- = UTILITY POLE ⊙ = LAMP POST

R-5		REC-635	
NORTHERN KENTUCKY WATER DISTRICT LOCATION MAPS			
CRUISE CREEK ROAD			
DRAWN BY: SAR	REVISD DATE:	SCALE: 1" = 50'	
TRACED BY: SAR		DATE: 6-1-15	
CHECKED BY: WR		DRAWING NO.	
FIELD BOOK NO. 146		2364-F	

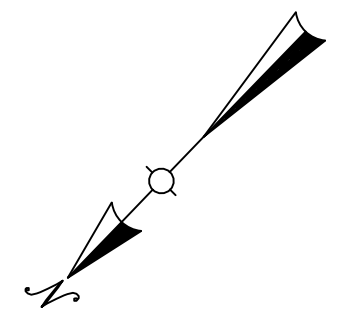
- ⊙ = VALVE ⊗ = FIRE HYDRANT
 - ⊕ = METER ⊞ = METER INSIDE
 - = UTILITY POLE ⊙ = LAMP POST
-
- LEGEND**
- ==== 4" WATER MAIN
 - ==== 6" WATER MAIN
 - ==== 8" WATER MAIN

R-5		REC-635	
NORTHERN KENTUCKY WATER DISTRICT LOCATION MAPS			
CRUISE CREEK ROAD			
DRAWN BY: SAR	REVISD DATE:	SCALE: 1" = 50'	DATE: 6-1-15
TRACED BY: SAR			DRAWING NO.
CHECKED BY: WR			2364-G
FIELD BOOK NO. 146			





SEE MAP #2364-I

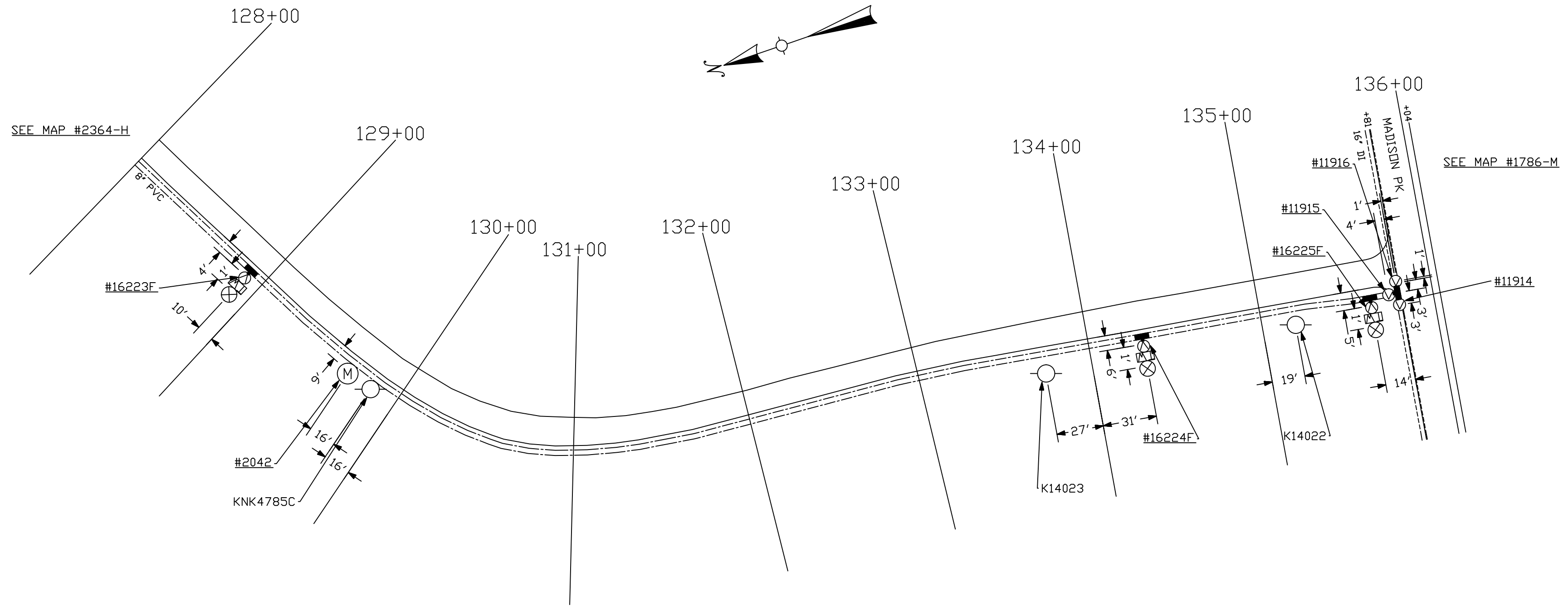


LEGEND

- ==== 4" WATER MAIN
- ==== 6" WATER MAIN
- ==== 8" WATER MAIN

- ⊗ = VALVE
- ⊙ = FIRE HYDRANT
- ⊕ = METER
- Ⓜ = METER INSIDE
- ⊖ = UTILITY POLE
- ⊗ = LAMP POST

R-5		REC-635	
NORTHERN KENTUCKY WATER DISTRICT LOCATION MAPS			
CRUISE CREEK ROAD			
DRAWN BY: SAR	TRACED BY: SAR	REVISED DATE:	SCALE: 1" = 50'
FIELD BOOK NO. 146	CHECKED BY: WR		DATE: 6-1-15
			DRAWING NO. 2364-H



LEGEND

- ==== 4" WATER MAIN
- ==== 6" WATER MAIN
- ==== 8" WATER MAIN
- ⊗ = VALVE
- ⊗ = FIRE HYDRANT
- ⊙ = METER
- ⊙ = METER INSIDE
- ⊙ = UTILITY POLE
- ⊙ = LAMP POST

P-3		REC-635	
NORTHERN KENTUCKY WATER DISTRICT LOCATION MAPS			
CRUISE CREEK ROAD			
DRAWN BY: SAR	TRACED BY: SAR	REVISED DATE:	SCALE: 1" = 50'
CHECKED BY: WR			DATE: 6-1-15
FIELD BOOK NO. 146			DRAWING NO. 2364-1